



**MDV Aroma Nordic**

# MDV Aroma Nordic

**NEW**

**A++**



## Functions

### STANDARD

(available with wireless remote controller RG10A5(G)/BGEF)



WiFi control



Wireless remote controller (RG10A5(G)/BGEF)



TURBO function



Emergency operation mode



Sleep mode



Timer



Restoring the louver settings



5 steps of fan speed regulation



Intelligent modulation of the fan rotational speed



1W in standby mode



Hot start



Auto restart



"Follow me" function



Operation in low ambient temperatures



Split and multi compatible



ECO



Self-cleaning



High density filter



Compound filter (catalyst-carbon-ionising)



Horizontal louver control



Refrigerant leakage detection



Manual switch



LED on/off



8°C heating (Frost Protect)



Ioniser



Drain pan heater



Compressor crankcase heater



Quiet operation mode



Aromatic filter

### OPTIONAL



BioHEPA filter



Drain pump

## Lower operating costs

The ECO function available in the Aroma series air-conditioners reduces costs associated with use of the unit, by limiting the energy consumption up to 60% as compared to operation in conventional mode.

## Healthier working conditions

The ioniser installed in the indoor unit releases the negative ions, which eliminate odours, dust and pollens, providing fresher and healthier room air.

## Technical specifications

Set				ZAF-09N8-C1	ZAF-12N8-C1	ZAF-18N8-C1	ZAF-24N8-C1	
Indoor unit				AFBU-09HRDN8-QRDO	AFBU-12HRDNX-QRDO	AFCU-18HRFN8-QRDO	AFDU-24HRFN8-QRDO	
Outdoor unit				MOX133-09HFN8-QRDON	MOX133-12HFN8-QRDON	MOX330-18HFN8-QRDON	MOX431-24HFN8-QRDON	
Power supply (V/phase/Hz)				220-240/1/50				
Version				Reversible heat pump				
Cooling	Capacity	Rated	kW	2.6	3.5	5.3	7.0	
		Min-Max	kW	0.90-3.40	1.10-4.20	0.34-5.83	2.10-7.90	
	Rated input power		kW	0.73	1.21	1.55	2.60	
	EER		kW/kW	3.60	2.89	3.42	2.69	
	SEER			6.3	6.1	7.4	6.1	
Energy efficiency class				A++	A++	A++	A++	
Heating	Capacity	Rated	kW	2.9	3.8	5.6	7.3	
		Min-Max	kW	0.80-3.40	1.10-4.20	3.10-5.85	1.60-7.90	
	Rated input power		kW	0.73	1.10	1.57	2.40	
	COP		kW/kW	3.97	3.45	3.57	3.04	
	SCOP			4	4	4	4	
Energy efficiency class				A+	A+	A+	A+	
Maximum input current			A	10.0	10.0	13.0	15.5	
Indoor unit	Dimensions (width x depth x height)		mm	805×194×285	805×194×285	957×213×302	1040×220×327	
	Transport dimensions (w x d x h)		mm	870×270×365	870×270×365	1035×295×385	1120×315×405	
	Weight (net/gross)		kg	7.6/9.8	7.6/9.8	10.0/13.0	12.3/15.8	
	Airflow (low/medium/high)		m <sup>3</sup> /min	5.4/6.0/7.7	5.1/7.1/9.0	9.0/11.3/14.0	11.0/13.6/16.3	
	Sound pressure level (quiet/low/medium/high)		dB(A)	20.0/25.0/32.0/38.5	21.0/25.0/34.5/40.5	20.0/26.0/36.0/42.5	30.0/36.0/40.5/45.0	
	Sound power level		dB(A)	54	55	56	59	
Outdoor unit	Dimensions (width x depth x height)		mm	720×270×495	720×270×495	805×330×554	890×324×673	
	Transport dimensions (w x d x h)		mm	835×300×540	835×300×540	915×370×615	995×398×740	
	Weight (net/gross)		kg	23.2/25.0	23.2/25.0	32.7/35.4	42.9/45.9	
	Airflow		m <sup>3</sup> /min	29.2	30.0	35.0	58.3	
	Sound pressure level		dB(A)	55.5	56.0	56.0	59.0	
Sound power level		dB(A)	62.0	63.0	63.0	67.0		
Refrigerant	Type			R32	R32	R32	R32	
	Charged amount		kg	0.55	0.55	1.08	1.42	
Refrigerant installation	Liquid/gas		mm	Ø6.35 / Ø9.52	Ø6.35 / Ø9.52	Ø6.35 / Ø12.70	Ø9.52 / Ø15.90	
	Maximum length		m	25	25	30	50	
	Maximum height difference		m	10	10	20	25	
Recommended electrical wiring and protections	Power supplied unit/cross-section		mm <sup>2</sup>	outdoor / 3×1.5	outdoor / 3×1.5	outdoor / 3×2.5	outdoor / 3×2.5	
	Transmission		mm <sup>2</sup>	5×1.5	5×1.5	5×1.5	5×1.5	
	Fuse		A	10	10	16	20	
Recommended operating temperature range (outdoor)			Cooling	°C				-25 - 50
			Heating	°C				-25 - 30

Capacity is based on the following conditions:

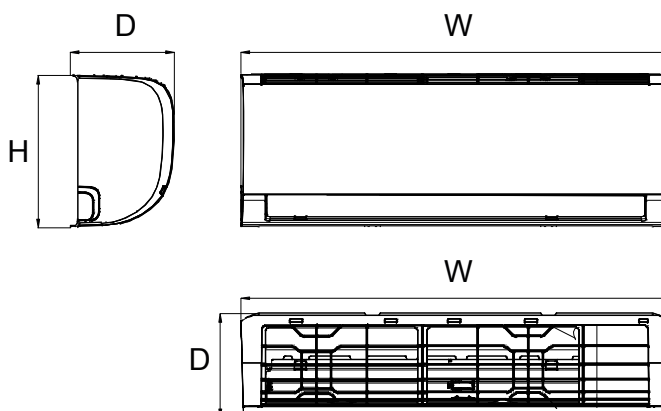
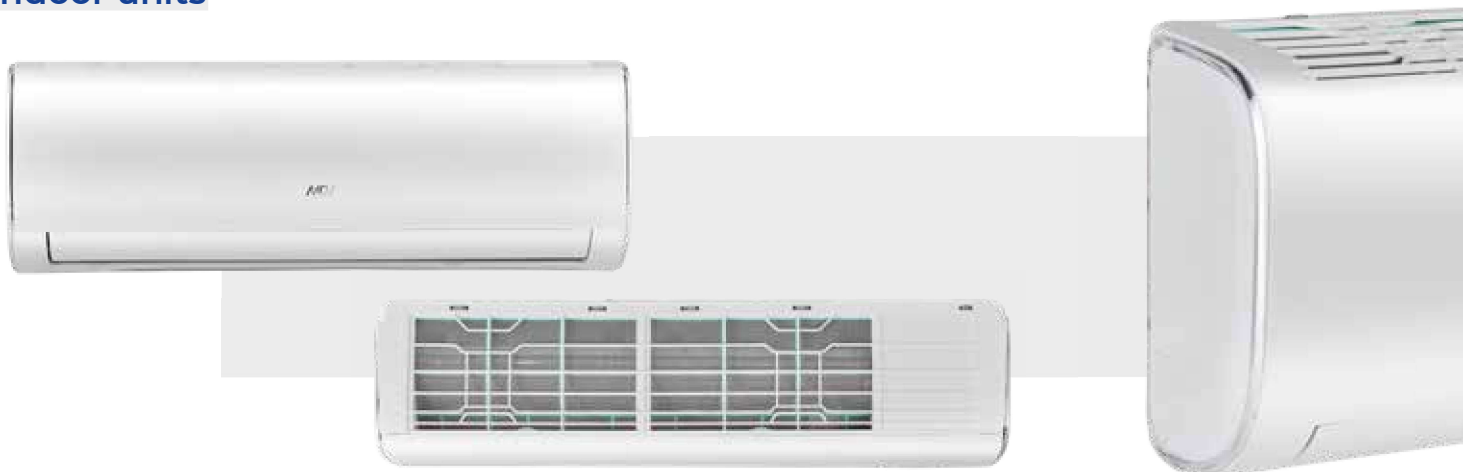
Cooling: indoor temperature 27°C DB/19°C WB; outdoor temperature 35°C DB/24°C WB. Heating: indoor temperature 20°C DB/15°C WB; outdoor temperature 7°C DB/6°C WB. Installation length: Length of connected pipes is 7.5 m. the height difference is 0. The unit contains fluorinated greenhouse gases (R32 GWP=675).

## Accessories

Standard	
RG10A5(G)/BGEF	Wireless remote controller with Frost Protect function
WIFI QSK-105	It allows to control from a Smartphone with NetHome Plus application
Option	
KJR-29B	Individual wired remote controller with Follow Me function

Detailed description of the controllers is available in the "Control system" chapter.

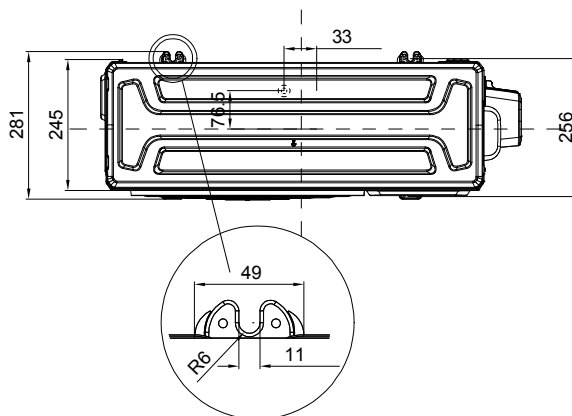
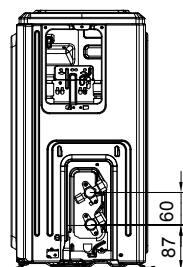
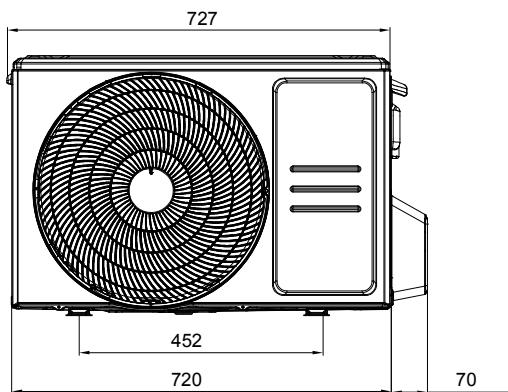
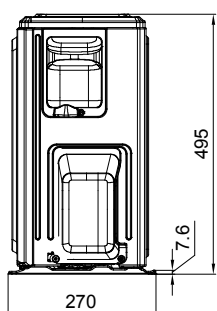
## Indoor units



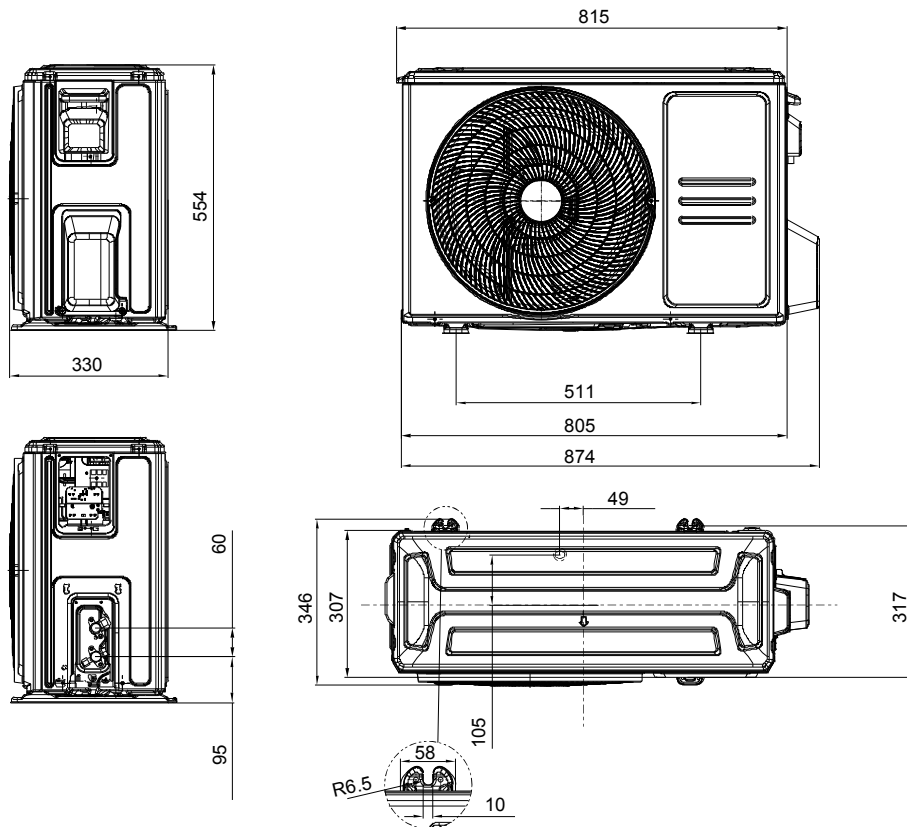
Model	Unit	W	D	H
AFBU-09HRDN8-QRDO	mm	805	194	285
AFBU-12HRDNX-QRDO	mm	805	194	285
AFCU-18HRFN8-QRDO	mm	957	213	302
AFDU-24HRFN8-QRDO	mm	1040	220	327

## Outdoor units

### MOX133-09HFN8-QRDON, MOX133-12HFN8-QRDON



MOX330-18HFN8-QRD0N



MOX431-24HFN8-QRD0N

